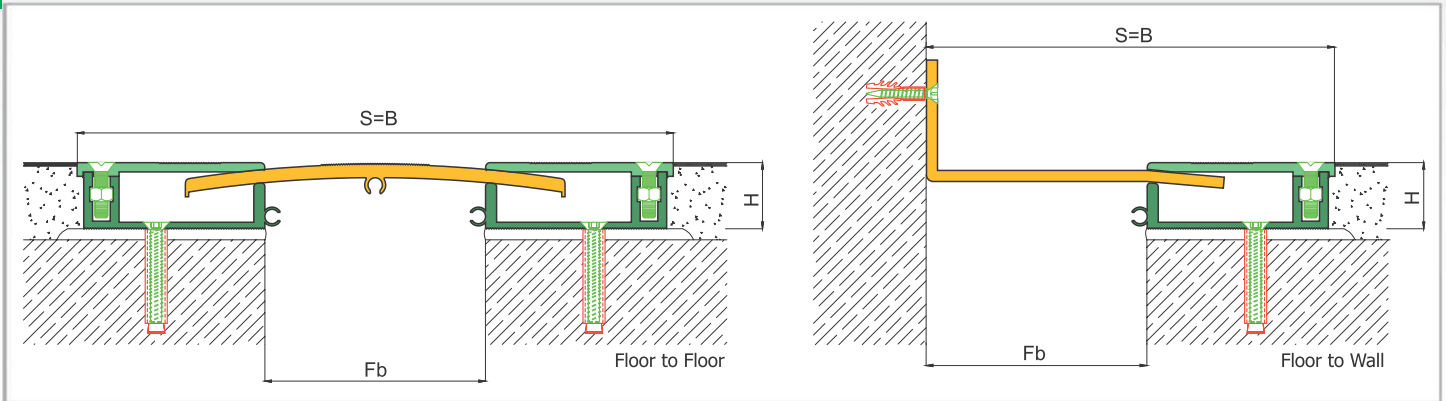
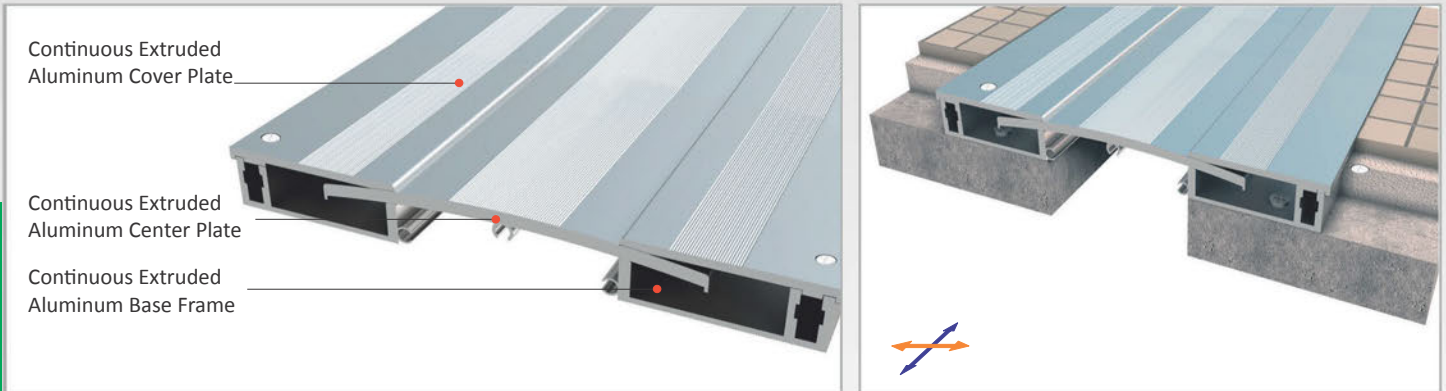




AS A255 functions as a flush mounted seismic floor profile. Though it's designed for car traffic, pure metal structure, maintenance-free and wear resistance properties make it favourable also for places with heavy pedestrian traffic. Base frames of the profile are fixed on the surface and cover plates are screwed on them. The movable center plate is placed in between and can meet horizontal and lateral shear displacements.

- Application Areas** : Indoor & Outdoor / Floor
- Ideal for** : Car Parks, Airports, Shopping Malls, Residences, Hospitals, Hotels, Commercial & Public Buildings etc.
- Material** : Mill Finish Aluminum (Anodizing optional)
- Aluminum Alloy** : 6063 AA-USA / EN AW 6063
- Optional Supplies** : Fire Barrier, Waterproof EPDM membrane

SEISMIC

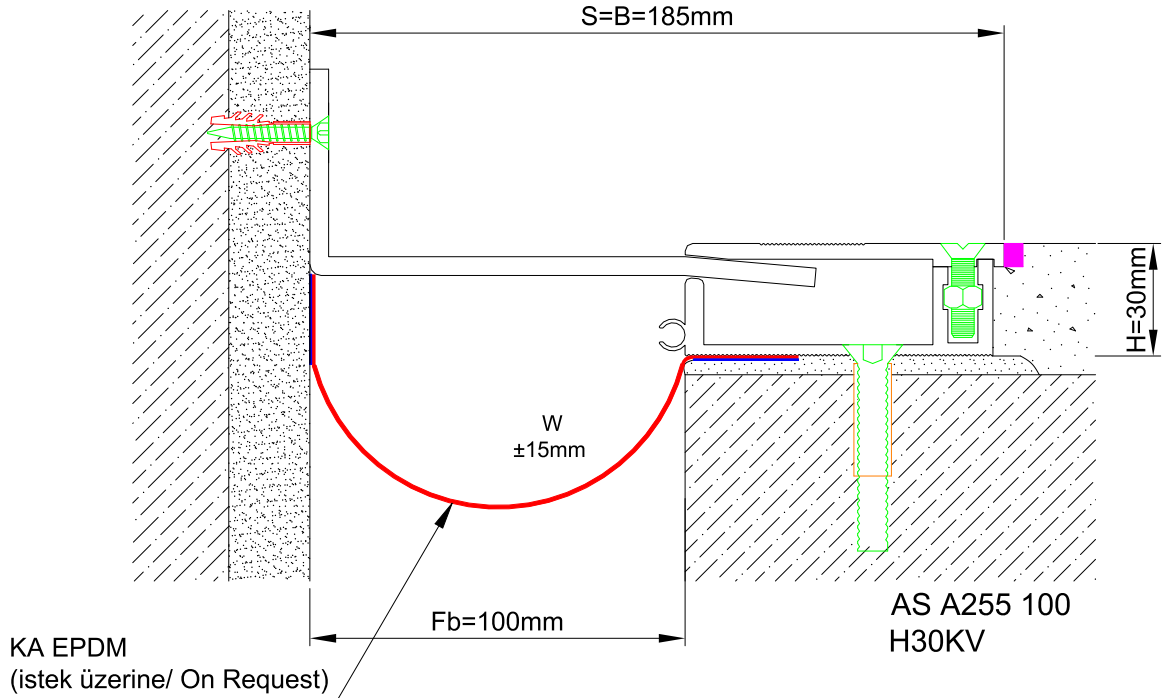
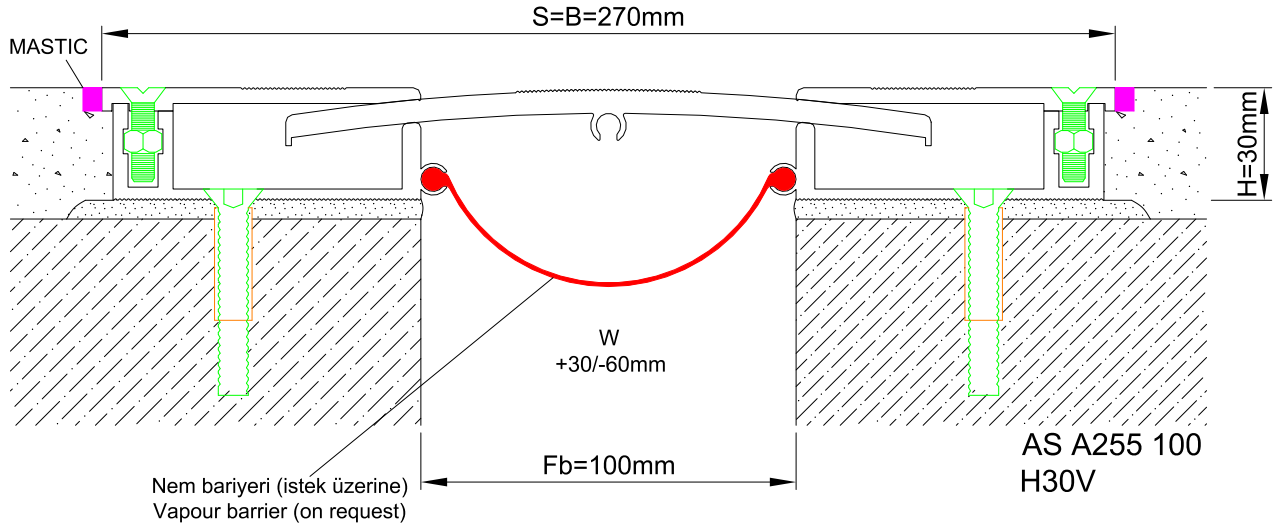


* Visuals are representative and the profile configuration may differ depending on the characteristics requested.

LOCATION	MODEL	GAP (Fb) mm	HEIGHT (H) MM	OVERALL WIDTH (B) mm	VISIBLE WIDTH (S) mm	MOVEMENT (W) mm	LOAD CAPACITY	STANDARD LENGTH (mt)
Floor to Floor	AS A255-050	50	30	220	220	+26/-36		3
	AS A255-100	100	30	270	270	+60/-60		3

Note: Please ask for different sizes





Profil No Profile Number	AS A255 100	AS A255 100K
Fb (mm)	100	100
H (mm)	30	30
W± (mm)	+30/-60	±15
Renk Color	Alüminyum: Natürel Aluminum: Natural	
Malzeme Material	Alüminyum Aluminum	
Standart Uzunluk Standard Length	3	
Yükleme Kapasitesi Load-Bearing Capacity	